



General:	Assembled by A&I Manufacturing, Inc. Environmentally safe.
Operation:	Bead chain through manual clutch mechanism.
Clutch:	Bead chain driven assisted by a stainless steel spring and spring shim. Clutch housing made from PA6.
Chain:	Plastic, nickel plated steel, stainless steel.
Idle End:	Made from glass fiber reinforced PA6.
Tube:	1 1/2", 1 3/4", 2", 2 3/8" hollow extruded aluminum(6063-T5) tube.
Square Fascia:	Square front, 4"x 2 3/4" extruded aluminum(6063-T5). Colors: White, Bronze, Alabaster, Anodized, Black.
Round Fascia:	Round front, 4"x3 11/32" extruded aluminum(6063-T5). Colors: White, Bronze, Alabaster, Anodized, Black.
Back Fascia:	Square front and back, 4"x1/8" extruded aluminum(6063-T5). Colors: White, Bronze, Alabaster, Anodized, Black.
Brackets:	4" x 4" x 3/4", cold rolled steel ASTM A1008. Wall or ceiling mount.
Spring Assist:	Spring Assembly to assist in raising and lowering of heavy roller shades, used at manufacturers discretion. Mount on the clutch inside the tube. Made of PBT with Glass Fiber and Spring Steel
Fascia End Cap:	ABS, round or square. Colors: White, Bronze, Alabaster, Anodized, Black.
Internal Hembar:	1/8"x1" extruded aluminum 6063-T5 flat stock.
External Hembar:	1 3/6"x9/16" rectangle, 1 1/2"x3/8" rectangle extruded aluminum 6063-T5. Colors: White, Bronze, Alabaster, Anodized, Black. Available at additional cost.
Fabric:	B/O, 1%, 3%, 5%, 8%, 10%, Translucent openness in various colors.
P-Clip Safety Tensioner:	Clear Poly-Carbonite. Shall comply with all safety requirements.
Sizes:	Outside mounted roller shades will be made to exact ordered measurements. Inside mounted roller shades will have 1/8" deducted at the factory from finished width. See Product Limits.

Product Limits

Controls (Manual)	Min. Width	Max. Width	Min. Drop	Max. Drop
Clutch Left or Right	18"	156"	18"	240"
Clutch Left or Right Spring Assist	36"	156"	18"	240"

WARNING **ADVERTENCIA**



Cords on window covering products present a potential strangulation hazard.



Las cuerdas y cadenas y persianas presentan un peligro de estrangulación.



For child safety, consider cordless alternatives or products with inaccessible cords.



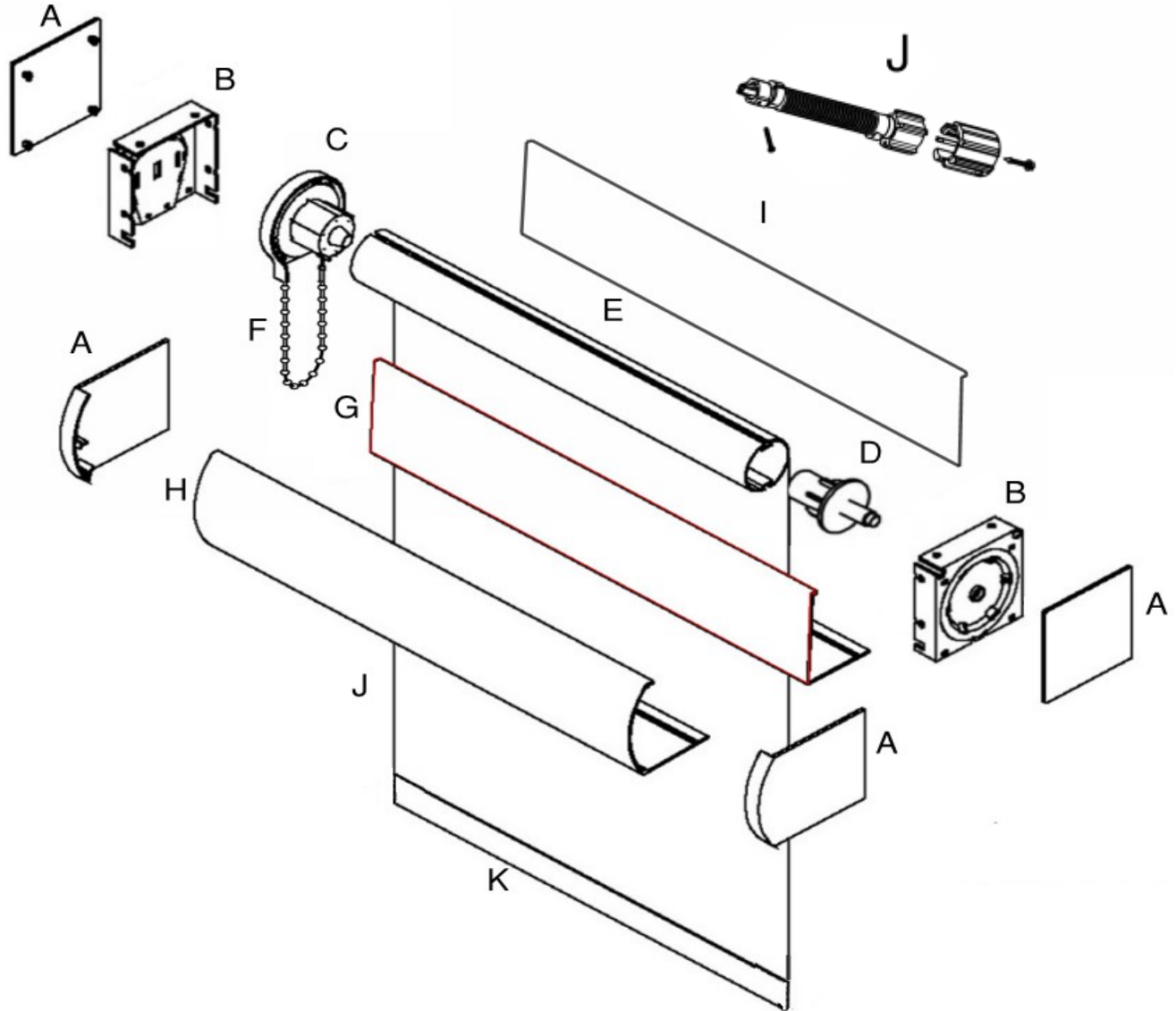
Para la seguridad de los niños, considere alternativas sin cuerdas o productos con cuerdas y cadenas inaccesibles.

SAFLAB-3 04/2013

ANSI/WCMA 5.1.4

SAFLAB-3 04/2013

ANSI/WCMA 5.1.4



- A: Bracket Cover
- B: Bracket
- C: Clutch
- D: Idle End
- E: Tube
- F: Chain
- G: Square Fascia
- H: Round Fascia
- I: Back Fascia
- J: Spring