

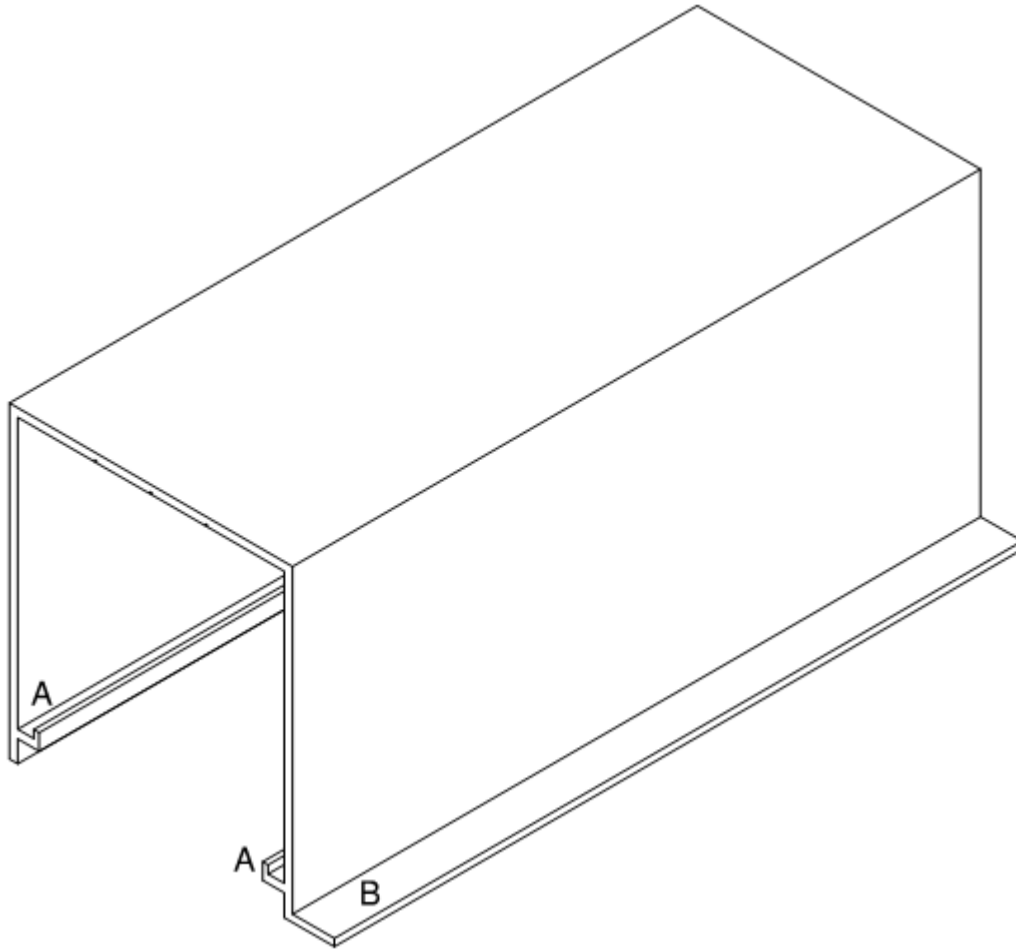


General:	Assembled by A&I Manufacturing, Inc. Environmentally safe.
Head Box:	4 15/16" x 5 3/8" x 3/4" extruded aluminum (6063-T5). Color White.
Closure Lips:	Dual closure lips for bottom closure panel, panel can be mounted for front or back roll of roller shade fabric.
ACT Lip:	3/4" wide lip on outside of Head Box for acoustic ceiling tile to rest on.
Mounting:	Attach to framing substrate or inside framed pocket in ceiling, with pan head screws. Screw type and size TBD on site per site conditions.

Product Limits

Min. Width: As needed for smallest shade.

Max. Width: 20', can be butted together for longer applications.



A: Bottom Closure Lip
B: ACT Lip