



<b>General:</b>	Assembled by A&I Manufacturing, Inc. <b>Environmentally safe.</b>
<b>Operation:</b>	Bead chain through manual clutch mechanism.
<b>38MM Clutch:</b>	Bead chain driven assisted by a stainless steel spring and spring shim. Clutch housing made from Nylon 6/6 GF-30. Color: Black, White.
<b>Chain:</b>	Plastic, nickel plated steel, stainless steel.
<b>Idle End:</b>	Made from Nylon 6/6 GF-30. Color to match clutch.
<b>Tube:</b>	1 1/2", 2" hollow extruded aluminum(6063-T5) tube.
<b>Brackets:</b>	1 15/16"x2 7/16" cold rolled steel ASTM A1008. Wall or ceiling mount. White, Black.
<b>Bracket Covers:</b>	White, Black plastic.
<b>Internal Hembar:</b>	1/8"x1" extruded aluminum 6063-T5 flat stock.
<b>External Hembar:</b>	1 3/6"x9/16" rectangle, 1 1/2"x3/8" rectangle extruded aluminum 6063-T5. Colors: White, Bronze, Alabaster, Anodized, Black. Available at extra cost.
<b>Fabric:</b>	B/O, 1%, 3%, 5%, 8%, 10%, Translucent openness in various colors.
<b>P-Clip Safety Tensioner:</b>	Clear Poly-carbonite. Shall comply with all safety requirements.
<b>Sizes:</b>	Outside mounted roller shades will be made to exact ordered measurements. Inside mounted roller shades will have 1/8" deducted at the factory from finished width. See Product Limits.

**Product Limits**

<b>Controls (Manual)</b>	<b>Min. Width</b>	<b>Max. Width</b>	<b>Min. Drop</b>	<b>Max. Drop</b>
Clutch Left	18"	156"	18"	240"
Clutch Right	18"	156"	18"	240"

**WARNING** **ADVERTENCIA**



Cords on window covering products present a potential strangulation hazard.



Las cuerdas y cadenas y persianas presentan un peligro de estrangulación.



For child safety, consider cordless alternatives or products with inaccessible cords.



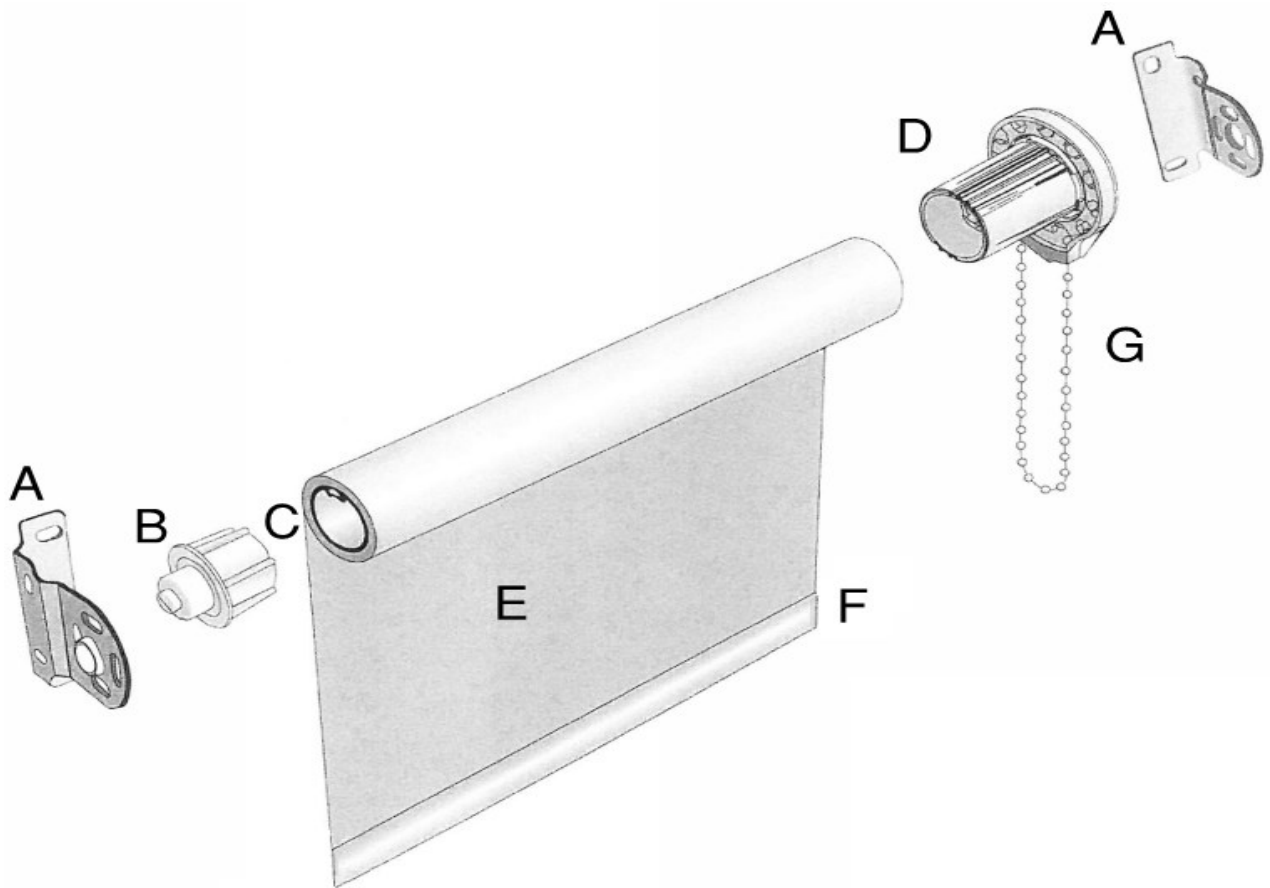
Para la seguridad de los niños, considere alternativas sin cuerdas o productos con cuerdas y cadenas inaccesibles.

SAFLAB-3 04/2013

ANSI/WCMA 5.1.4

SAFLAB-3 04/2013

ANSI/WCMA 5.1.4



- A: Brackets
- B: Idle End
- C: Tube
- D: Clutch
- E: Fabric
- F: Enclosed Hem Bar
- G: Bead Chain