



General:	Assembled by A&I Manufacturing, Inc. Environmentally safe.
Operation:	Bead chain through manual clutch mechanism.
32MM Clutch:	Bead chain driven assisted by a stainless steel spring and spring shim. Clutch housing Made from Nylon 6/6 GF-30. Color: Black, White.
Chain:	Plastic, nickel plated steel, stainless steel.
Idle End:	Made from Nylon 6/6 GF-30. Color to match clutch.
Tube:	1 1/4", 1 1/2" hollow extruded aluminum(6063-T5) tube.
Brackets:	1 15/16"x2 7/16" cold rolled steel ASTM A1008. Wall or ceiling mount. White, Black.
Bracket Covers:	White, Black plastic.
Internal Hembar:	1/8"x1" extruded aluminum 6063-T5 flat stock.
External Hembar:	1 3/6"x9/16" rectangle, 1 1/2"x3/8" rectangle extruded aluminum 6063-T5. Colors: White, Bronze, Alabaster, Anodized, Black. Available at extra cost.
Fabric:	B/O, 1%, 3%, 5%, 8%, 10%, Translucent openness in various colors.
P-Clip Safety Tensioner:	Clear Poly-carbonite. Shall comply with all safety requirements.
Sizes:	Outside mounted roller shades will be made to exact ordered measurements. Inside mounted roller shades will have 1/8" deducted at the factory from finished width. See Product Limits.

Product Limits

Controls (Manual)	Min. Width	Max. Width	Min. Drop	Max. Drop
Clutch Left	18"	132"	18"	240"
Clutch Right	18"	132"	18"	240"

WARNING **ADVERTENCIA**



Cords on window covering products present a potential strangulation hazard.



Las cuerdas y cadenas y persianas presentan un peligro de estrangulación.



For child safety, consider cordless alternatives or products with inaccessible cords.



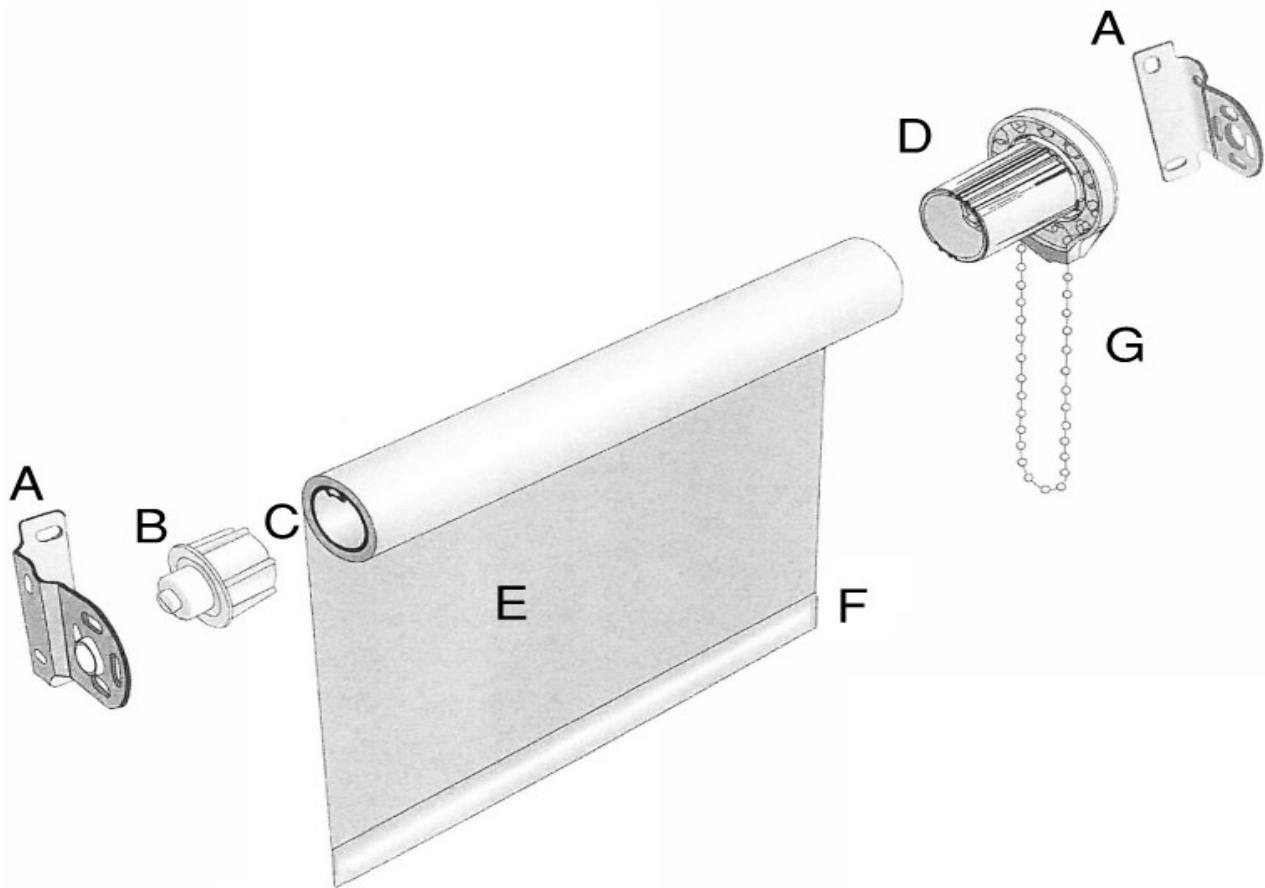
Para la seguridad de los niños, considere alternativas sin cuerdas o productos con cuerdas y cadenas inaccesibles.

SAFLAB-3 04/2013

ANSI/WCMA 5.1.4

SAFLAB-3 04/2013

ANSI/WCMA 5.1.4



- A: Brackets
- B: Idle End
- C: Tube
- D: Clutch
- E: Fabric
- F: Enclosed Hem Bar
- G: Bead Chain