



<b>General:</b>	Assembled by A&I Manufacturing, Inc. <b>Environmentally safe.</b>
<b>Frame:</b>	1 1/2" x 1" 100% aluminum. Baked-on paint.
<b>Head Rail:</b>	1" x 1/2" x 0.024" Steel, integrated style. Treated to resist corrosion. Baked-on paint.
<b>Bottom Rail:</b>	C shaped .024" Steel. Treated to resist corrosion. Baked-on paint.
<b>Extrusion Corner Joint:</b>	2 3/16" x 2 3/16" Nylon 6.
<b>Corner Cover:</b>	1 11/16" x 1 11/16" Nylon 6.
<b>Slats:</b>	Aluminum Heat Treated and Tempered, 1" wide x .006 thick.
<b>Tilter:</b>	Shall be of worm gear construction, enclosed in housing of engineering polymer. May be positioned at right or left.
<b>Tilt Rod:</b>	Shall be solid steel with corrosion resistant finish.
<b>Tilt Wands:</b>	Shall be extruded, clear solid acrylic wand.
<b>Perfect Fit Handle:</b>	Made of Polycarbonate, used to lower and raise blind.
<b>Braided Ladders:</b>	Shall be 100% polyester yarn color coordinated with the slats. Spacing shall not be more than 21.5 mm (approximately 13 slats per foot of drop).
<b>Installation Brackets:</b>	1 3/16" x 1 1/8" x 3/4" or 1 3/16" x 1 1/4" x 1/4" L-shaped spring metal. Treated to resist corrosion. Baked-on paint. Brackets slip between glass pane and muntin, blind clips onto bracket.
<b>Installation:</b>	Blinds will be mounted to window sash or door frame.
<b>Sizes:</b>	Size is determined by width & height of glazing in window sash or door frame. See product limits.

### Product Limits

Controls (Manual)	Min. Width	Max. Width	Min. Drop	Max. Drop
Tilt Only Left or Right	14"	57"	12"	67" *

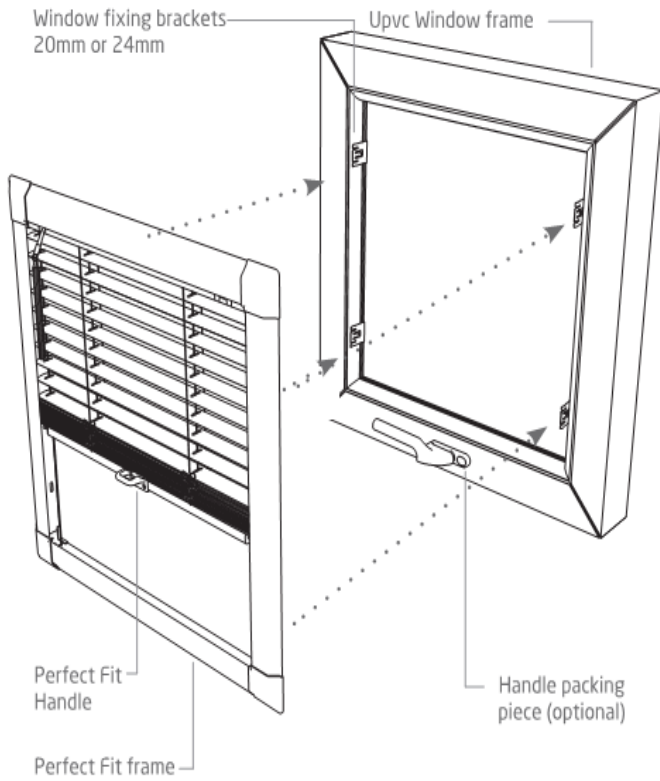
Maximum Sq. Footage \*26 Sq. Ft. Under Warranty

\* Exceptions Available Upon Request

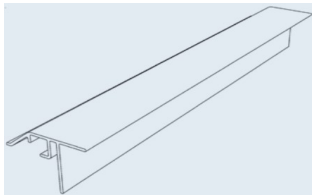
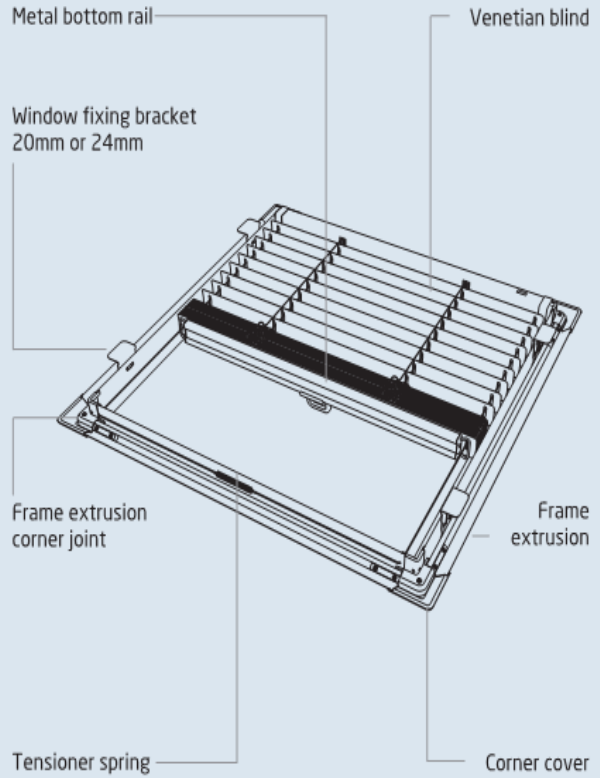
	<b>WARNING</b>		<b>ADVERTENCIA</b>
	Cords on window covering products present a potential strangulation hazard.		Las cuerdas y cadenas y persianas presentan un peligro de estrangulación.
	For child safety, consider cordless alternatives or products with inaccessible cords.		Para la seguridad de los niños, considere alternativas sin cuerdas o productos con cuerdas y cadenas inaccesibles.
<small>SAFLAB-3 04/2013</small>	<small>ANSI/WCMA 5.1.4</small>	<small>SAFLAB-3 04/2013</small>	<small>ANSI/WCMA 5.1.4</small>



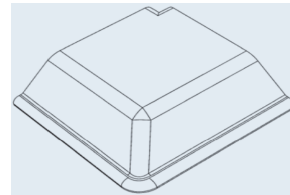
**FRONT VIEW**



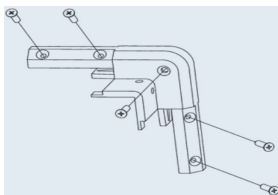
**REVERSE VIEW HEADRAIL**



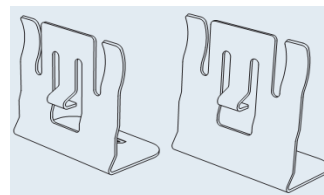
**Frame Extrusion**



**Corner Cover**



**Extrusion Corner Joint**



**Window Fixing Bracket**



## Commercial Contract Color Options (Check One)

- M1001 Shimmering White
- M1004 Igloo
- M1007 Polar Bear
- M1013 China Stone
- M1022 Coconut
- M1025 Antique Lace