



<b>General:</b>	Assembled by A&I Manufacturing, Inc. <b>Environmentally safe.</b>
<b>Head Rail:</b>	1" x 1"x 0.024" Steel. Treated to resist corrosion. Baked-on paint, color coordinated to slats.
<b>Bottom Rail:</b>	C-shaped .024" Steel. Treated to resist corrosion. Baked-on paint, color coordinated to slats.
<b>Slats:</b>	Aluminum Heat Treated and Tempered, 1" wide x .008 thick.
<b>Valance:</b>	Double Slat with clips to mount.
<b>Tilter:</b>	Shall be of worm gear construction, enclosed in housing of engineering polymer; gear and shaft shall be of engineering polymer with slip clutch mechanism. May be positioned at right or left with or without cord lock.
<b>Tilt Rod:</b>	Shall be solid steel with corrosion resistant finish.
<b>Tilt Wands:</b>	Shall be extruded, clear solid acrylic wand.
<b>Cord lock:</b>	Shall be of Snap-In-Design and incorporates stainless steel wear guard over which cords pass and a floating type locking pin. Locking pin shall be free of abrasive teeth and offer minimum wear to the cord.
<b>Lift Cords:</b>	Shall be two-ply polyester cord filler and braided polyester jacket.
<b>Braided Ladders:</b>	Shall be 100% polyester yarn color coordinated with the slats. Spacing shall not be more than 22.5 mm (approximately 13 slats per foot of drop).
<b>Installation Brackets:</b>	1 9/16" x 1 3/8" x 1 7/8" x.042 thick steel box brackets. Blinds over 48" shall have intermediate supports.
<b>Tassel:</b>	Shall comply with all safety requirements
<b>Sizes:</b>	Outside mounted window coverings will be made to exact ordered measurements. Inside mounted horizontal blinds will have 1/2" deducted at the factory from width. See Product Limits.

### Product Limits

Controls (Manual)	Min. Width	Max. Width	Min. Drop	Max. Drop
Tilt Only-Center of Head Rail	5"	132"	6"	* 126"
Split Controls-[L/R or R/L]	9 1/2"	132"	6"	* 126"
Same Side Controls-[L/L or R/R]	9 1/2"	132"	6"	* 126"

Maximum Sq. Footage \*126 Sq. Ft. Under Warranty

\* Exceptions Available Upon Request

### WARNING ADVERTENCIA



Cords on window covering products present a potential strangulation hazard.



Las cuerdas y cadenas y persianas presentan un peligro de estrangulación.



For child safety, consider cordless alternatives or products with inaccessible cords.



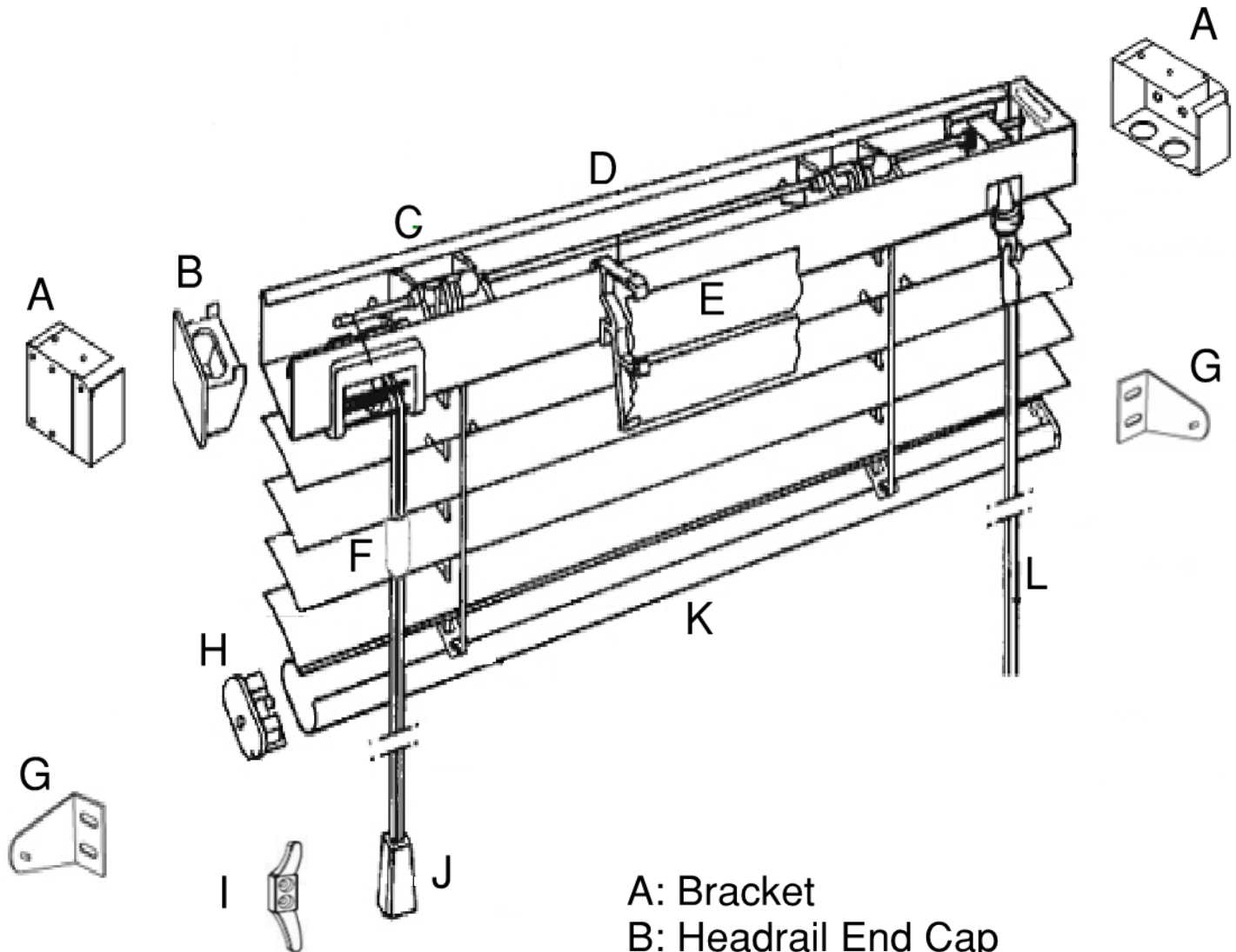
Para la seguridad de los niños, considere alternativas sin cuerdas o productos con cuerdas y cadenas inaccesibles.

SAFLAB-3 04/2013

ANSI/WCMA 5.1.4

SAFLAB-3 04/2013

ANSI/WCMA 5.1.4



- A: Bracket
- B: Headrail End Cap
- C: Tilter
- D: Headrail
- E: Valance
- F: Break Away Safety Tassel
- G: Hold Down
- H: Bottomrail End Cap
- I: Lift Cord Cleat
- J: Tassel
- K: Bottomrail
- L: Tilt Wand



## Commercial Contract Color Options (Check One)

M1001 Shimmering White

M1004 Igloo

M1007 Polar Bear

M1022 Coconut