



| | |
|-------------------------------|--|
| General: | Assembled by A&I Manufacturing, Inc. Environmentally safe. |
| Head Rail: | 1" x 1.5"x .024" Steel. Treated to resist corrosion. Baked-on paint, color coordinated to slats. |
| Bottom Rail: | Sculpted .024" Steel. Treated to resist corrosion. Baked-on paint, color coordinated to slats. |
| Slats: | Aluminum Heat Treated and Tempered, 1" wide x .006 thick. |
| Valance: | Double Slat with clips to mount. |
| Tilter: | Shall be of worm gear construction, enclosed in housing of engineering polymer; gear and shaft shall be of engineering polymer with slip clutch mechanism. May be positioned at right or left with or without cord lock. |
| Tilt Rod: | Shall be solid steel with corrosion resistant finish. |
| Tilt Wands: | Shall be extruded, clear solid acrylic wand. |
| Cord lock: | Shall be of Snap-In-Design and incorporates stainless steel wear guard over which cords pass and a floating type locking pin. Locking pin shall be free of abrasive teeth and offer minimum wear to the cord. |
| Lift Cords: | Shall be two-ply polyester cord filler and braided polyester jacket. |
| Braided Ladders: | Shall be 100% polyester yarn color coordinated with the slats. Spacing shall not be more than 18.5 mm (approximately 17 slats per foot of drop). |
| Installation Brackets: | 1 9/16" x 1 3/8" x 1 7/8" x.042 thick steel box brackets. Blinds over 48" shall have intermediate supports. |
| Tassel: | Shall comply with all safety requirements |
| Sizes: | Outside mounted window coverings will be made to exact ordered measurements. Inside mounted horizontal blinds will have 1/2" deducted at the factory from width. See Product Limits. |

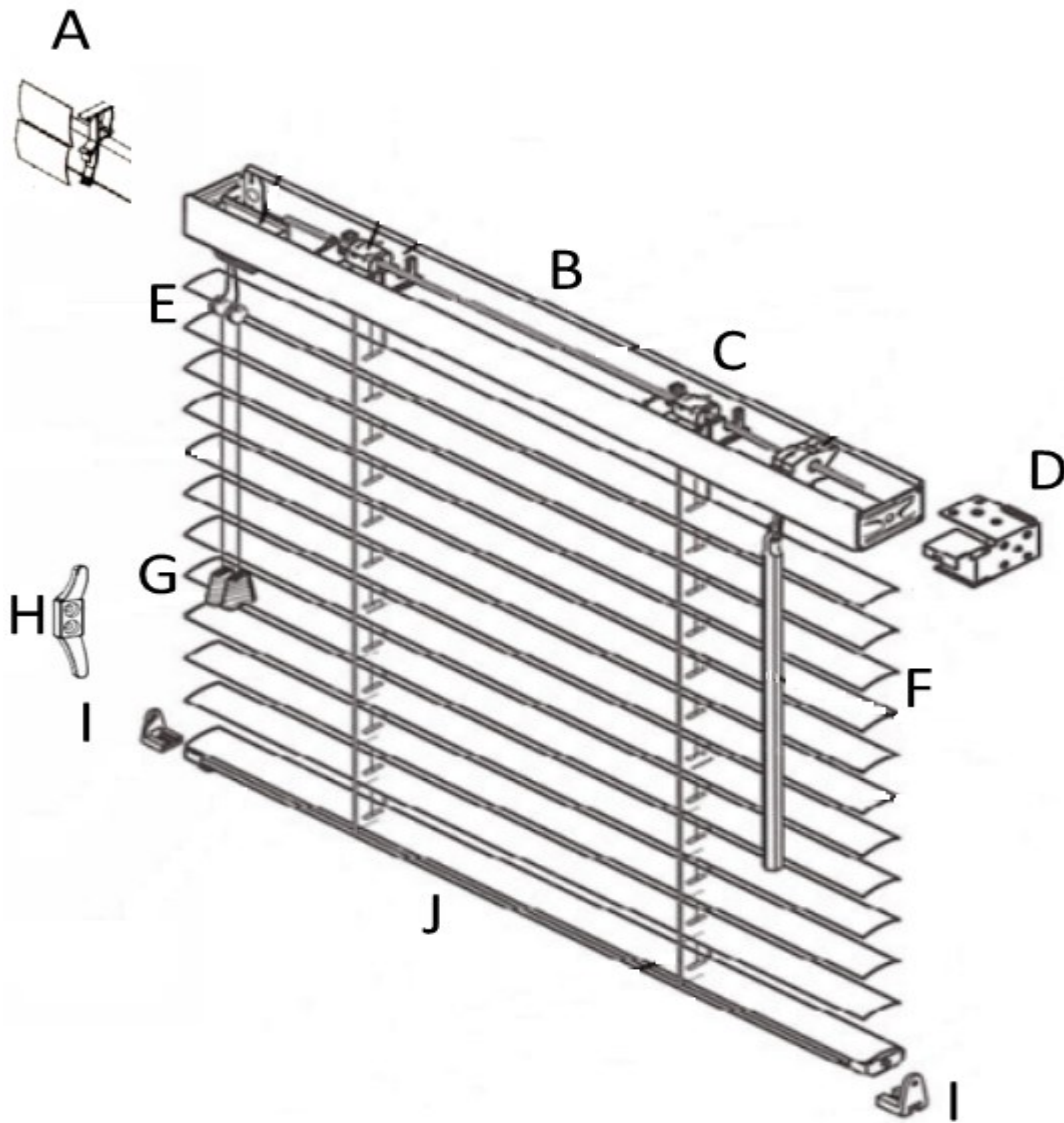
Product Limits

| Controls (Manual) | Min. Width | Max. Width | Min. Drop | Max. Drop |
|---------------------------------|------------|------------|-----------|-----------|
| Tilt Only-Center of Head Rail | 5" | 132" | 6" | *126" |
| Split Controls-[L/R or R/L] | 9 1/2" | 132" | 6" | *126" |
| Same Side Controls-[L/L or R/R] | 9 1/2" | 132" | 6" | *126" |

Maximum Sq. Footage *126 Sq. Ft. Under Warranty

* Exceptions Available Upon Request

| | |
|---|--|
|  WARNING |  ADVERTENCIA |
| <p> Cords on window covering products present a potential strangulation hazard.</p> <p> For child safety, consider cordless alternatives or products with inaccessible cords.</p> | <p> Las cuerdas y cadenas y persianas presentan un peligro de estrangulación.</p> <p> Para la seguridad de los niños, considere alternativas sin cuerdas o productos con cuerdas y cadenas inaccesibles.</p> |
| SAFLAB-3 04/2013 | ANSI/WCMA 5.1.4 |
| SAFLAB-3 04/2013 | ANSI/WCMA 5.1.4 |



- A: 2 Slat Valance
- B: Headrail
- C: Tilter
- D: Bracket
- E: Break Away Safety Tassel
- F: Tilt Wand
- G: Tassel
- H: Cord Cleat
- I: Hold Down
- J: Bottomrail



Commercial Contract Color Options (Check One)

M1001 Shimmering White

M1004 Igloo

M1007 Polar Bear

M1013 China Stone

M1022 Coconut

M1025 Antique Lace